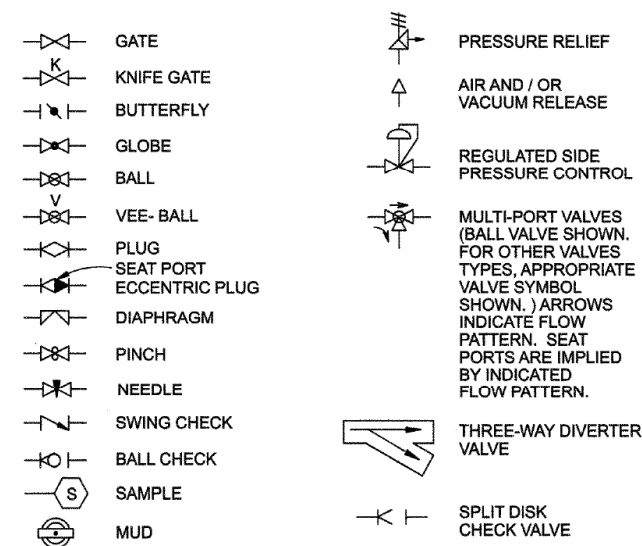
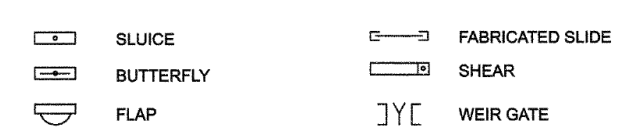


P&ID LEGEND

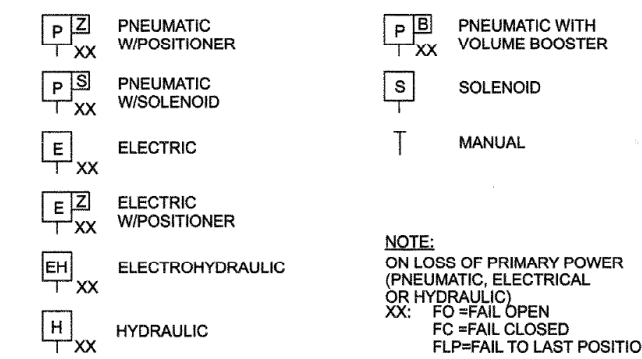
VALVE SYMBOLS



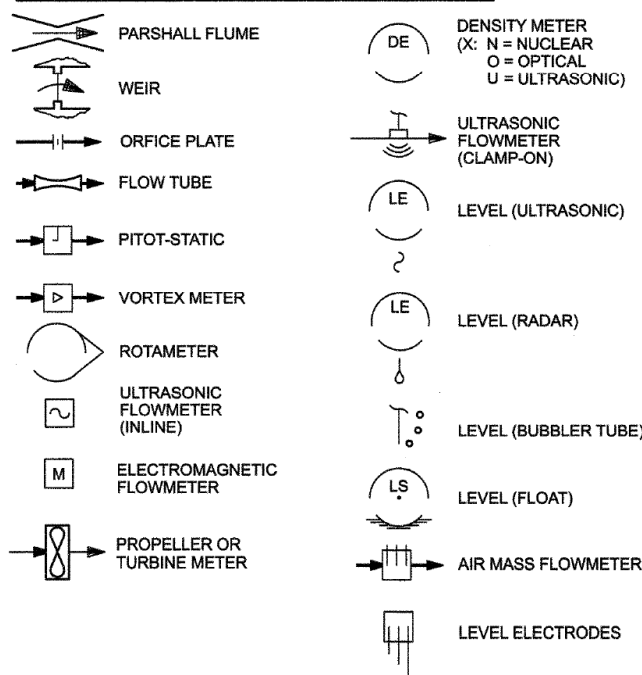
GATE SYMBOLS



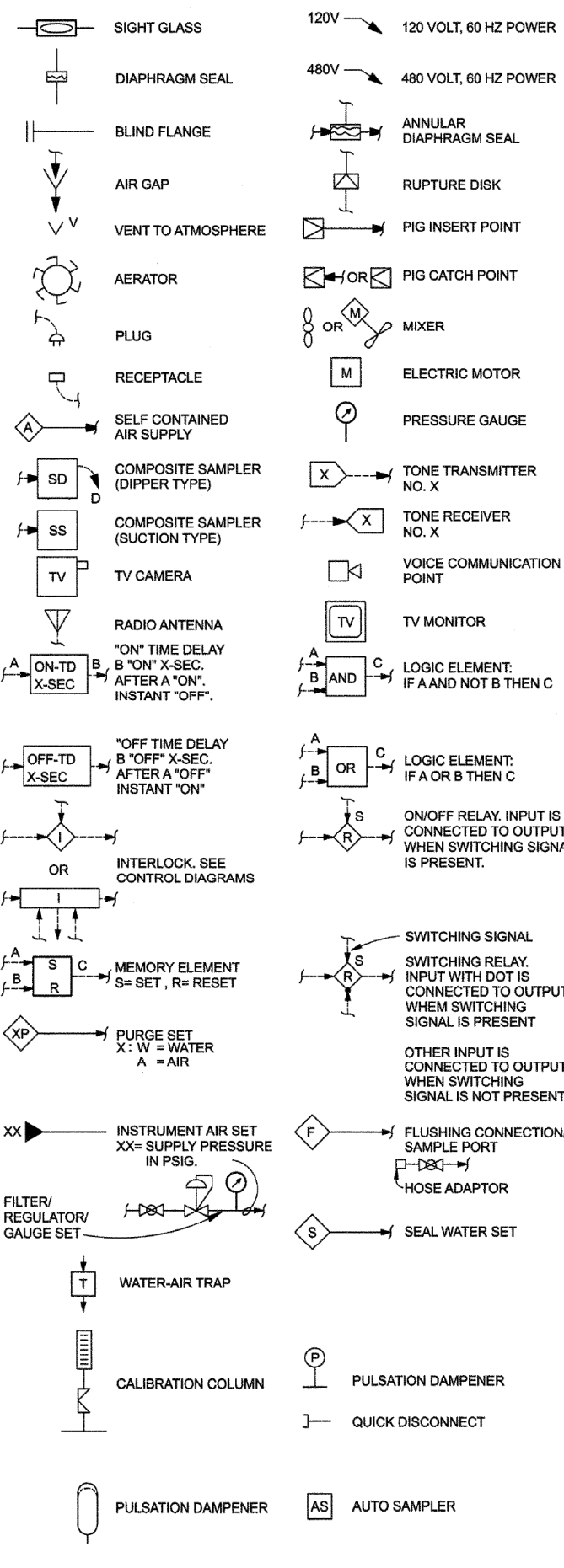
ACTUATOR SYMBOLS



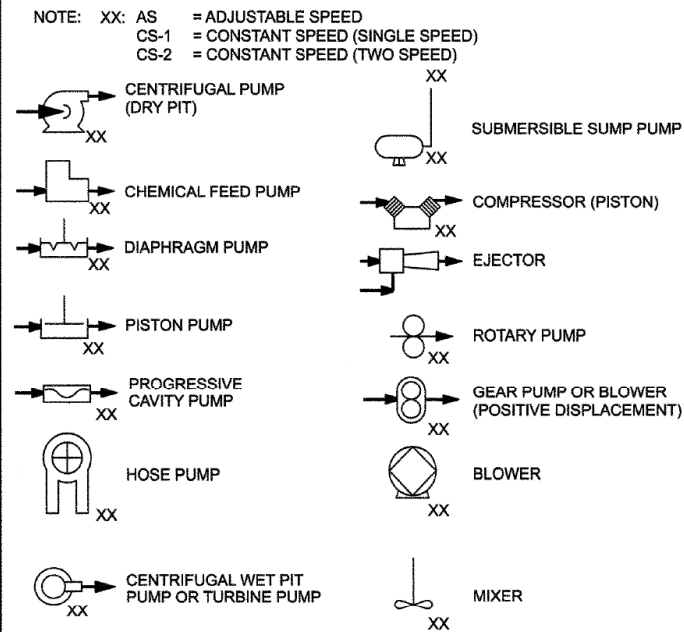
PRIMARY ELEMENT SYMBOLS



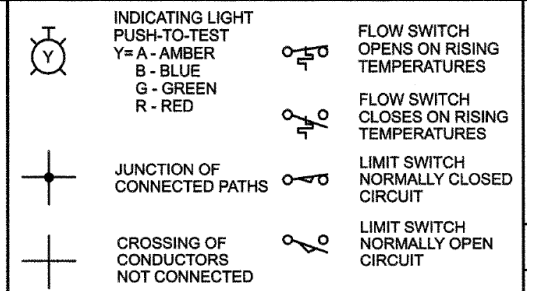
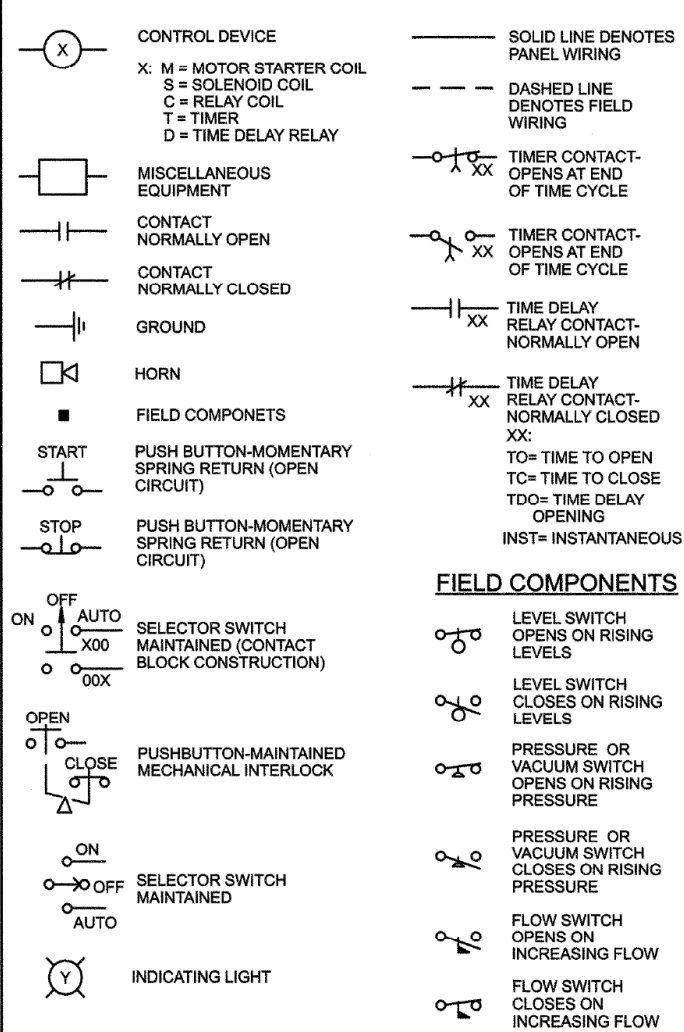
MISCELLANEOUS SYMBOLS



PUMP AND COMPRESSOR SYMBOLS



CONTROL DIAGRAM SYMBOLS



NOTES:
1. THIS IS A STANDARD LEGEND SHEET. SOME SYMBOLS OR ABBREVIATIONS MAY APPEAR ON THIS SHEET AND NOT ON THE PLANS.
2. SCREENED ITEMS SHOWN ON P&ID'S ARE EXISTING.